



Retractable EV Charger

LEVEL1 & LEVEL2 **E16-32A-01**

Retractable EV Charger

GK Retractable EV Charger is a household, portable and multifunctional AC charger. The EV charger can support up to 7.68kW charging with retractable charging cable. It is a good partner of EV.

The charging current is selectable, which enables users to reduce charging current to charge EV when electricity supply is tight. The charging can be scheduled at the period of cheap electricity to lower charging costs.

The EV charger is compatible with Level1 & Level2. The EV can be charged by retractable EV charger whenever and wherever. EV charger APP can automatically adjust charging current by identifying voltage, eliminating all risks for users.

The EV charger can be connected to APP. Users can set charging current and charging time, check charging status, volume, and record, etc on the APP.



Product Features

- Suitable for household use
- Plug and charge. Control charging on APP
- Compatible with Level1 & Level2
- Type1 J1772 charging port
- Up to 7.68kW charging output
- Charging cable can be collected into charger body
- CCID20 earth leakage protection
- Level 1 energy metering
- NEMA-3R shock resistance design
- Portable
- ETL & Energy Star certificate



Easy operation

2 charging methods: plug and charge;
control charging on APP



Brand and color customizable

GK provides customization services,
from brand to color



Allowance

Users can apply for subsidies since
the EV chargers passed Energy
Star certificate.



Under Voltage
Protection



Over Voltage
Protection



Relay Fault



Over
Temperature
Protection



Ground
Detection



Surge
Protection



Control
Pilot Error



Lightning
Protection



Over Current
Protection



Leakage
Protection

The Details

Maximum output power 7.68kW

Compatible with Level1 & Level2.
Support up to 7.68kW fast charging.

Taken to anywhere

The EV charger can be placed in the trunk of EV and taken to anywhere, so that your EVs can be charged anywhere anytime.

Free charging

Household users can also charge using their solar PV or other home renewables for a zero-cost charge.

Safe and secure

GK EV chargers have passed ETL certificate.
Please feel free to use GK products.

2 years warranty

GK EV chargers are designed, developed and manufactured rigorously and come with a 2-year warranty included as standard, for added peace of mind on your investment.



Manual Winding Function

After the gun head is taken out, the placement position will return to normal



The wires are all stored in the product

Safety & Protection

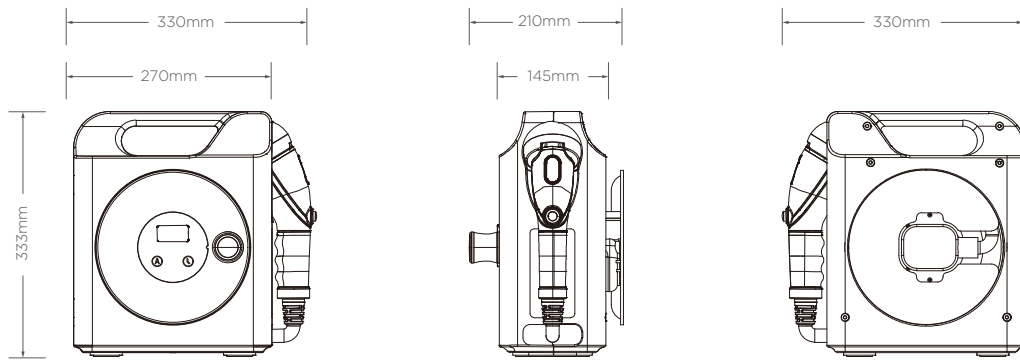


- Lightning protection
- Surge protection
- Over voltage protection
- Under voltage protection
- Over current protection
- Over temperature protection
- CCID20
- Ground detection protection
- Control pilot error
- Relay bonding fault

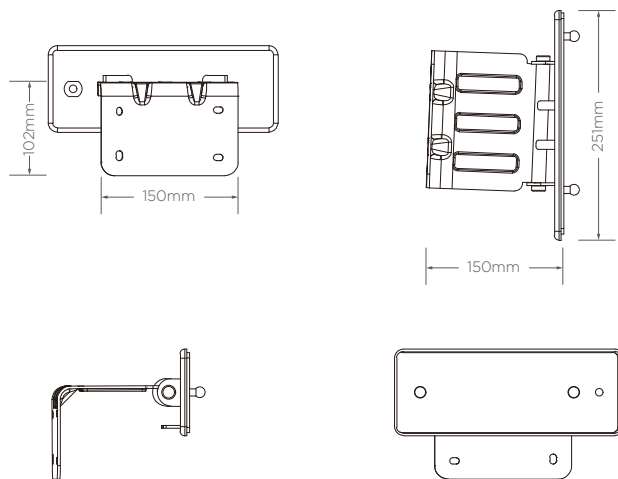
Model Number	E16-32A-01
POWER SPECIFICATIONS	
Standby Power	<2W Standby
Output Power(kW)	1.92kW 3.84kW 5.76kW 7.68kW
Output Amperage(A)	8A 16A 24A 32A
Circuit Breaker Options(A)	10A 18A 27A 35A
Input/Output Nominal Voltage	200VAC/250VAC
Input/Output Voltage Range	190VAC/265VAC
Input/Output Frequency	50/60Hz
Input Wiring Type	Hardwired
Input Wiring Scheme	L1,L2,GND
Power Measurement Accuracy	Embedded meter with a 1% accuracy at the nominal input
Surge Protection	Up to 6kV at 3000A
FUNCTIONAL SPECIFICATIONS	
Charge Connector Type	Type 1 SAE J1772
Charge Cable Length	18 feet
Status Indicator	RGB LED Display
Use Interface	None
NETWORK SPECIFICATIONS	
Network Interface	V4.2 BLE 2.4GHz & WIFI 2.4GHz
SAFETY & COMPLIANCE SPECIFICATIONS	
Ground Fault Detection	CCID20,20mA per UL2231, Automatic Reset Featur
Ground Monitor	Ground Monitor per UL2231
Safety Compliance	UL2594/UL2231-1/UL2231-2
Protection	OVP,UVP,OCP,OTP
Energy Star Certified	Yes
OPERATIONAL SPECIFICATIONS	
Enclosure Rating	IK08
Waterproof	IP65
Operating Temperature	-30°C to +60°C
Storage Temperature	-30°C to +70°C
Operating Humidity	95%
Altitude	≤2000m
Charger Dimensions	333x330x210(mm)
Charger Weight	≤7Kg

Dimension Drawing

Charger Dimensions:

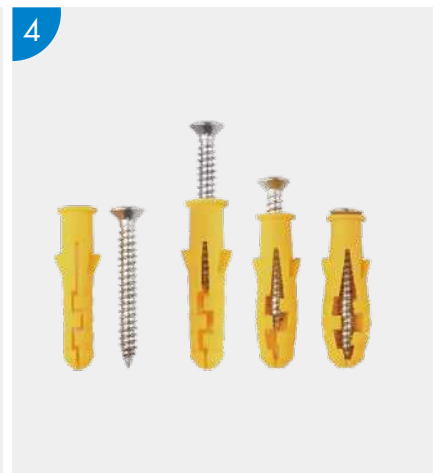


Accessories Dimensions:



Options & Accessories

- 1: Telsa adapter(optional)
- 2: Bracket and keys
- 3: Adapter
- 4: Screws
- 5: EV Charger body



Product Application



THIS DOCUMENT CONTAINS INFORMATION THAT IS SUBJECT TO CHANGE WITHOUT NOTICE.
The latest version of this publication can be downloaded at <https://gknev.com/>.

Illustrations of the product and user interface are for marketing purposes only.

Brand names, logos and trademarks used herein remain the property of their respective owners.
This listing of any firm or their logos is not intended to imply any endorsement or direct affiliation with GK
and is purely to demonstrate branding opportunities.