



Retractable EV Charger

Type2 **E16-16A-02**

Retractable EV Charger

GK Retractable EV Charger is a household, portable and multifunctional AC charger. The EV charger can support up to 3.68kW charging with retractable charging cable. It is a good partner of EV.

The charging current is selectable, which enables users to reduce charging current to charge EV when electricity supply is tight. The charging can be scheduled at the period of cheap electricity to lower charging costs.

The EV can be charged by retractable EV charger whenever and wherever. EV charger APP can automatically adjust charging current by identifying voltage, eliminating all risks for users.

The EV charger can be connected to APP. Users can set charging current and charging time, check charging status, volume, and record, etc on the APP.



Product Features

Suitable for household use

Plug and charge. Control charging on APP

Type2 IEC_62196-2016 charging port

Up to 3.68kW charging output

Charging cable can be collected into charger body

Type B A+DC earth leakage protection

Level 1 energy metering

IP65 & IK08 shock resistance design

Portable

CE & Energy Star certificate



Easy operation

2 charging methods: plug and charge;
control charging on APP



Brand and color customizable

GK provides customization services,
from brand to color



Allowance

Users can apply for subsidies since
the EV chargers passed Energy
Star certificate.



Under Voltage
Protection



Over Voltage
Protection



Relay Fault



Over
Temperature
Protection



Ground
Detection



Surge
Protection



Control
Pilot Error



Lightning
Protection



Over Current
Protection



Leakage
Protection

The Details

Maximum output power 3.68kW

Support up to 3.68kW fast charging.

Taken to anywhere

The EV charger can be placed in the trunk of EV and taken to anywhere, so that your EVs can be charged anywhere anytime.

Free charging

Household users can also charge using their solar PV or other home renewables for a zero-cost charge.

Safe and secure

GK EV chargers have passed ETL certificate. Please feel free to use GK products.

2 years warranty

GK EV chargers are designed, developed and manufactured rigorously and come with a 2-year warranty included as standard, for added peace of mind on your investment.



Manual Winding Function

After the gun head is taken out, the placement position will return to normal



Safety & Protection

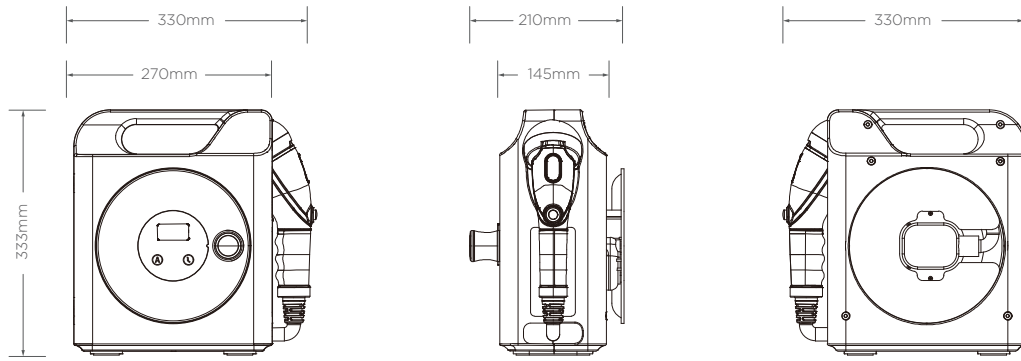


- Lightning protection
- Surge protection
- Over voltage protection
- Under voltage protection
- Over current protection
- Over temperature protection
- Type B A+DC 6mA
- Ground detection protection
- Control pilot error
- Relay bonding fault

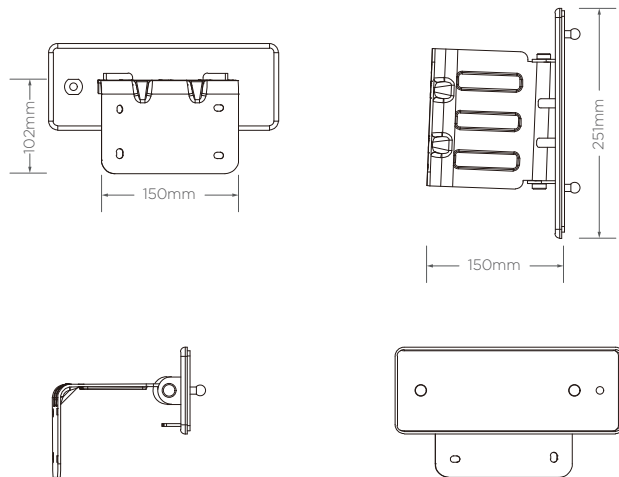
Model Number	E16-16A-02
POWER SPECIFICATIONS	
Standby Power	<3W Standby
Output Power(kW)	1.84KW 3.68KW
Output Amperage(A)	6A 8A 10A 13A 16A
Circuit Breaker Options(A)	7A 9A 11A 15A 18A
Input/Output Nominal Voltage	200VAC/250VAC
Input/Output Voltage Range	190VAC/265VAC
Input/Output Frequency	50/60Hz
Input Wiring Type	EU Standard
Input Wiring Scheme	L,N,GND
Power Measurement Accuracy	MID
Surge Protection	Up to 6kV at 3000A
FUNCTIONAL SPECIFICATIONS	
Charge Connector Type	IEC_62196-2016
Charge Cable Length	7.5 meters
Status Indicator	LCD Display
Use Interface	None
NETWORK SPECIFICATIONS	
Network Interface	V4.2 BLE 2.4GHz
SAFETY & COMPLIANCE SPECIFICATIONS	
Ground Fault Detection	IEC 61851-1:2017 AC30mA,DC6mA
Ground Monitor	IEC61851
Safety Compliance	IEC_61851-1
Protection	OVP,UVP,OCP,OTP
Energy Star Certified	Yes
OPERATIONAL SPECIFICATIONS	
Enclosure Rating	IK08
Waterproof	IP65
Operating Temperature	-30°C to +60°C
Storage Temperature	-30°C to +70°C
Operating Humidity	95%
Altitude	≤2000m
Charger Dimensions	333x330x210(mm)
Charger Weight	7Kg

Dimension Drawing

Charger Dimensions:

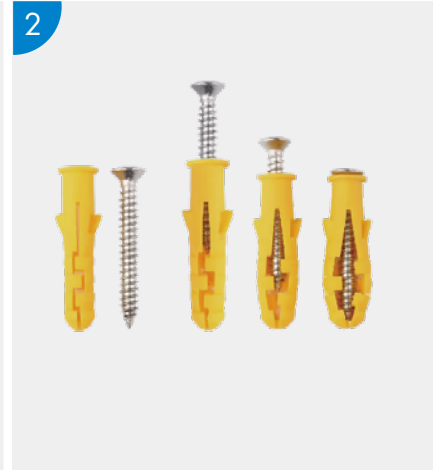


Accessories Dimensions:



Options & Accessories

- 1: Bracket and keys
- 2: Screws
- 3: EV Charger body



Product Application



THIS DOCUMENT CONTAINS INFORMATION THAT IS SUBJECT TO CHANGE WITHOUT NOTICE.
The latest version of this publication can be downloaded at <https://gknev.com/>.

Illustrations of the product and user interface are for marketing purposes only.

Brand names, logos and trademarks used herein remain the property of their respective owners.
This listing of any firm or their logos is not intended to imply any endorsement or direct affiliation with GK
and is purely to demonstrate branding opportunities.